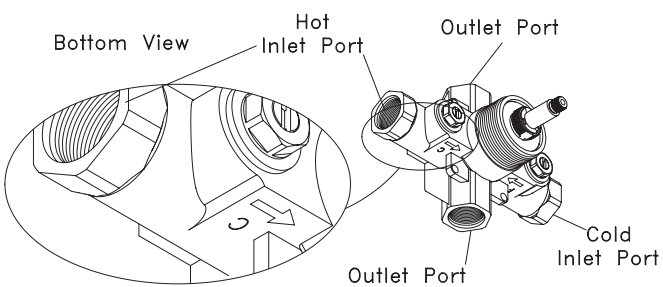
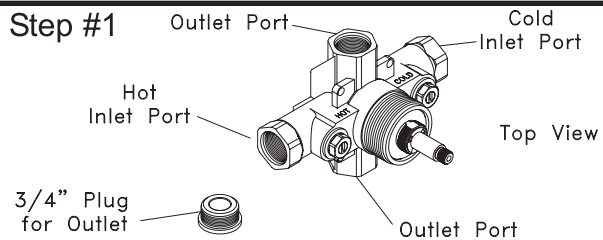
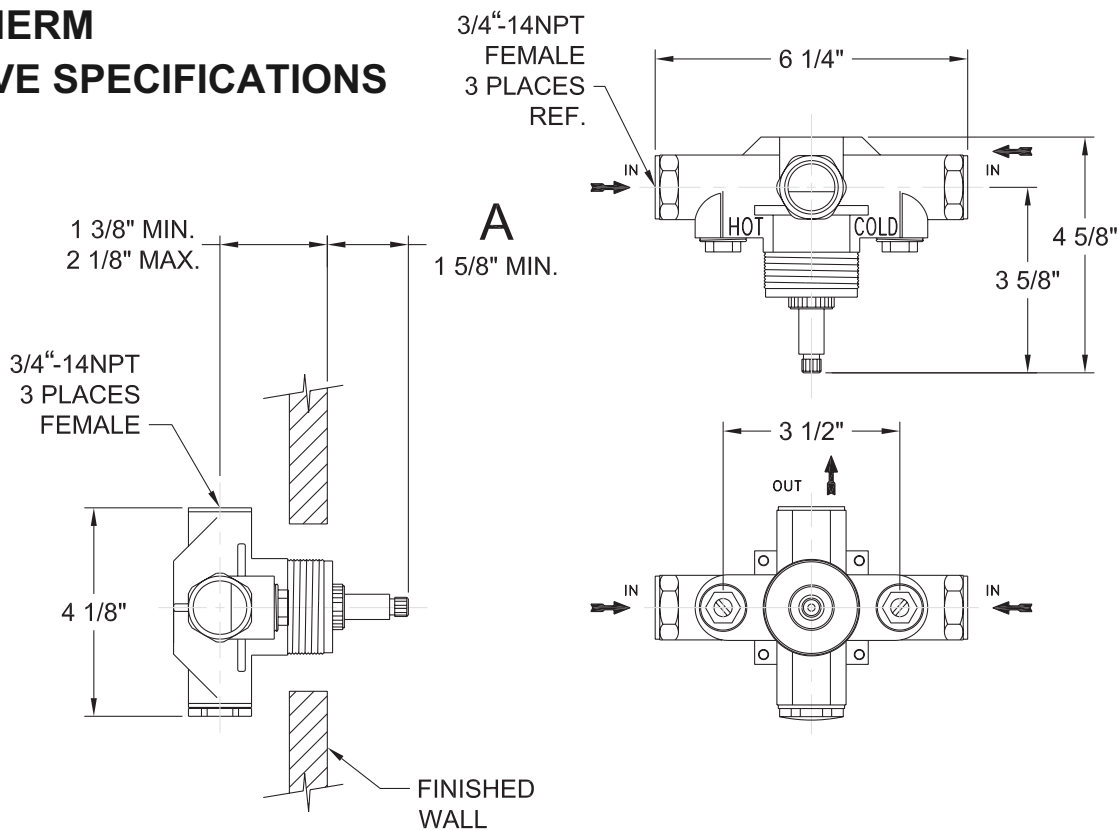


Phylrich[®]

**INSTALLATION INSTRUCTIONS FOR
3/4" THERMOSTATS
VALVE NUMBERED: 34THERM**

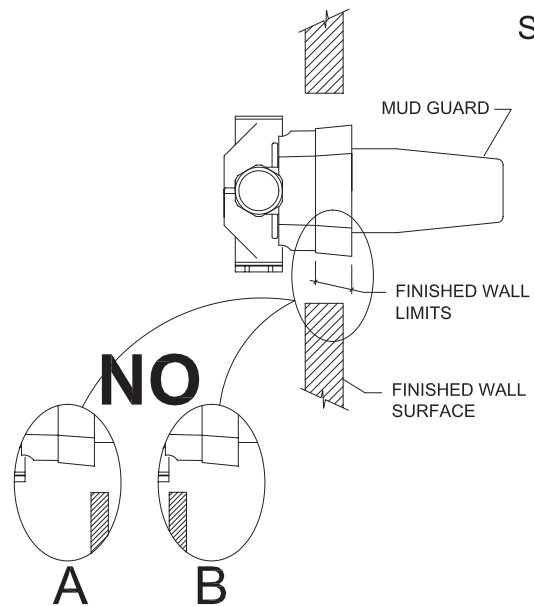
34THERM VALVE SPECIFICATIONS



Please note that the valve is stamped with "HOT" and "COLD" on the **top** and "C" (*chaud/hot*) and "F" (*froid/cold*) on the **bottom**. The valve is designed with two outlets for ease of installation, but are not intended to be used simultaneously. Using both outlets will reduce the performance of the valve. Determine which outlet port will be used for the installation and plug the other outlet with the 3/4" plug provided.

NOTE: If this valve is installed upside down a reverse cartridge is available but will cut flow up to 66%.

Step #2

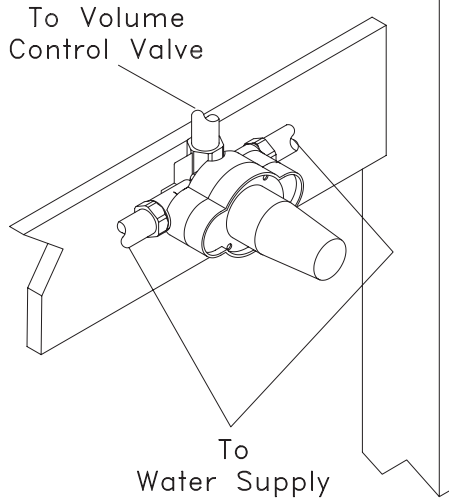


Finish wall must be within the dimensions shown on the mud guard. Please make sure that the mud guard is not damaged for correct measurement.

NOTE "A" will require an extension EXTHERM. Please contact your local distributor.

NOTE "B" must be re-instated as the trim will not fit.

Step #3

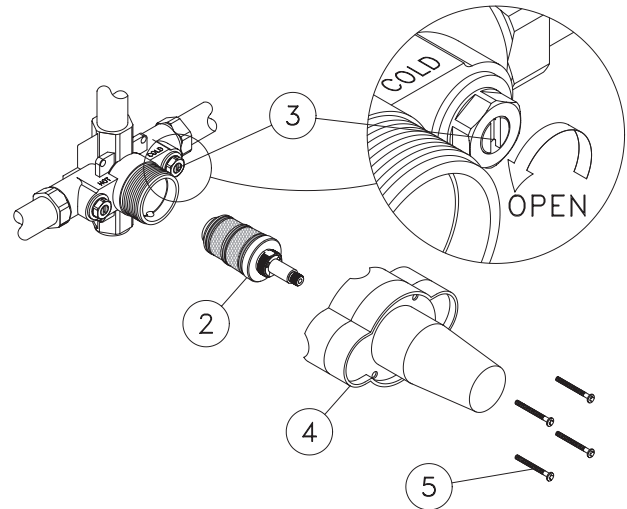


Once the location has been determined, install a crossbeam. Level the valve and secure to the crossbeam. Connect the thermostat-mixing valve to the hot and cold supplies using copper supply lines and $\frac{3}{4}$ " male adaptors.

(NOTE: Do not apply heat directly to the valves as this may damage rubber and plastic seals and will void the warranty).

Connect the outlet port to the volume control valve (purchased separately).

Step #4

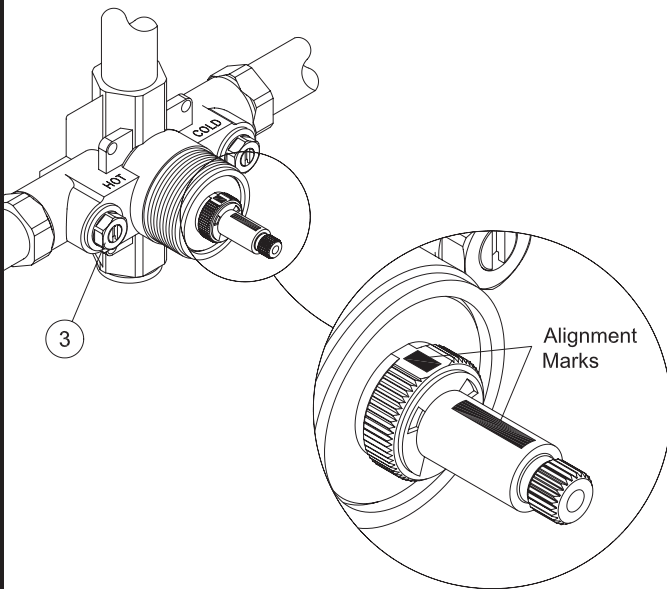


Flush supply lines.

Remove the mounting screws (#5) and the mud cover (#4). Close integral stop (#3) by turning screwdriver slots clockwise fully. Remove the cartridge (#2) by unthreading it from the body. Turn on water supplies and open integral stop by turning screwdriver slots counter-clockwise. Shut-off integral stops.

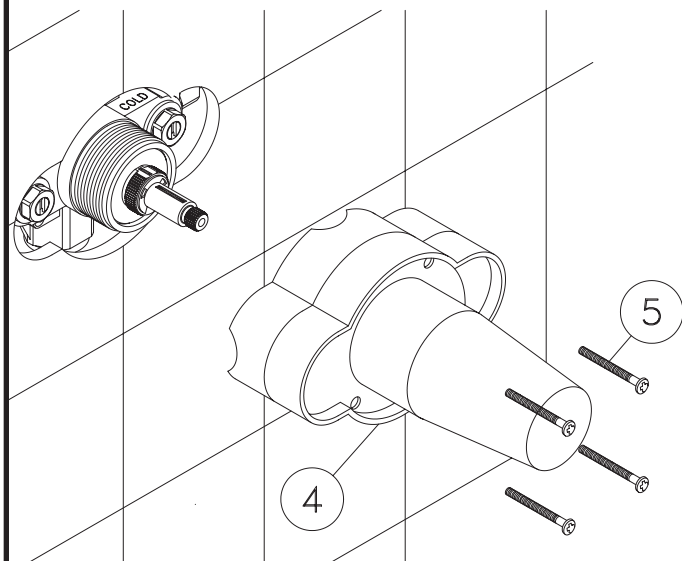
Failure to complete this step will void the warranty.

Step #5



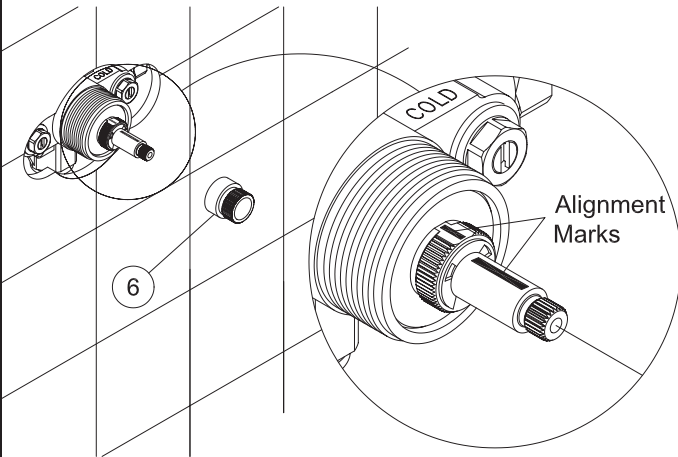
Reinstall cartridge. Make sure that the black alignment marks on the cartridge stem are on the top of the cartridge. Open integral stops and flush lines to volume control(s), outlet(s), etc. Check all connections for leaks. Close integral stops and reinstall tile guide. The wall is now ready to be closed. Before installing trim pieces, open integral stops.

Step #6



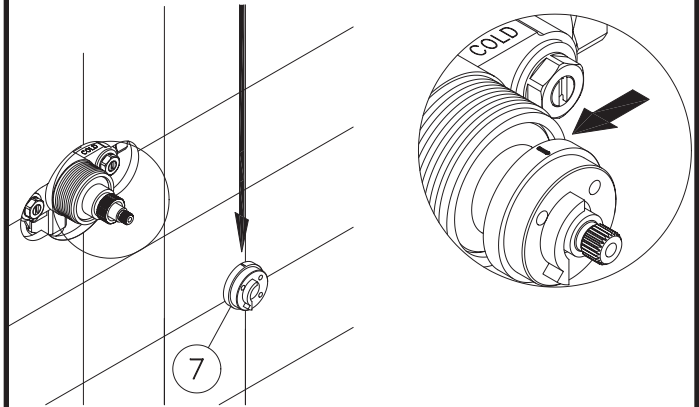
Once the finished wall has been completed, remove black plastic tile guide (#4). Do not discard the four mounting screws (#5), as they will be used for mounting the escutcheon plate.

Step #7



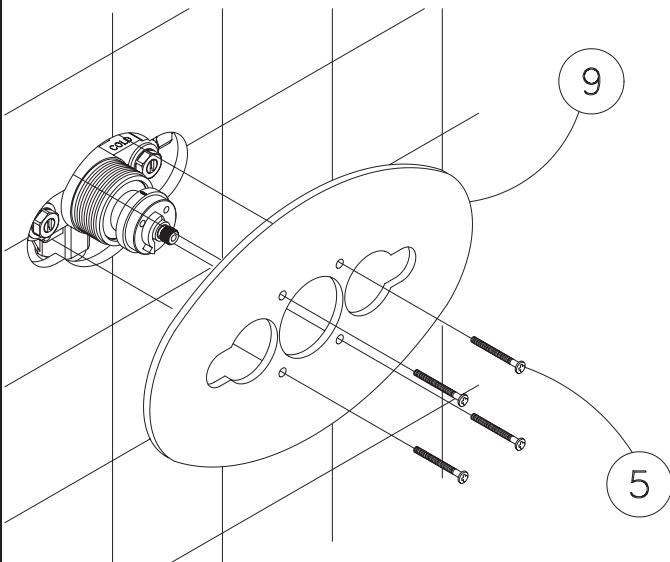
Make sure black alignment mark on the stem lines up with the mark on cartridge nut. Attach positioning cam (#6) to cartridge. Be sure that the fine broach of the cam is aligned with the cartridge and the cam is firmly positioned.

Step #8



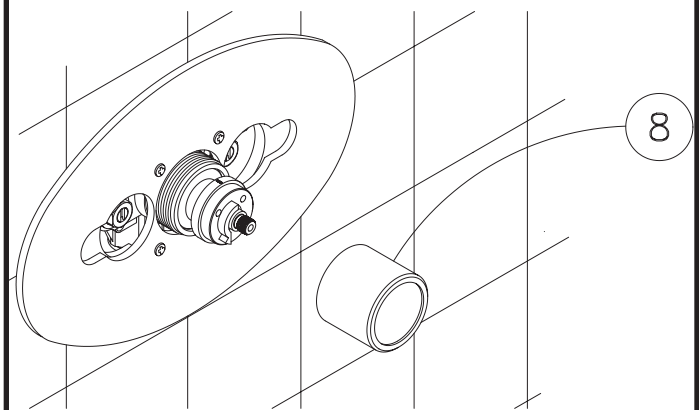
The cartridges are factory calibrated, so the alignment mark on the safety stop (#7, see inset) must be located at the top. Line up the broach on the safety stop and the positioning cam and slip safety stop (#7) onto positioning cam. Take care not to strip the broach on the safety stop when attaching and be sure that it is firmly positioned.

Step #9



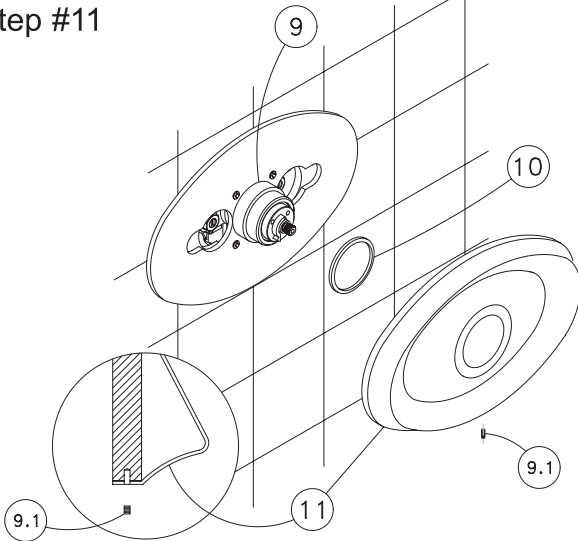
Secure plastic mounting plate (#9) using the four mounting screws (#5) removed in step 6.

Step #10



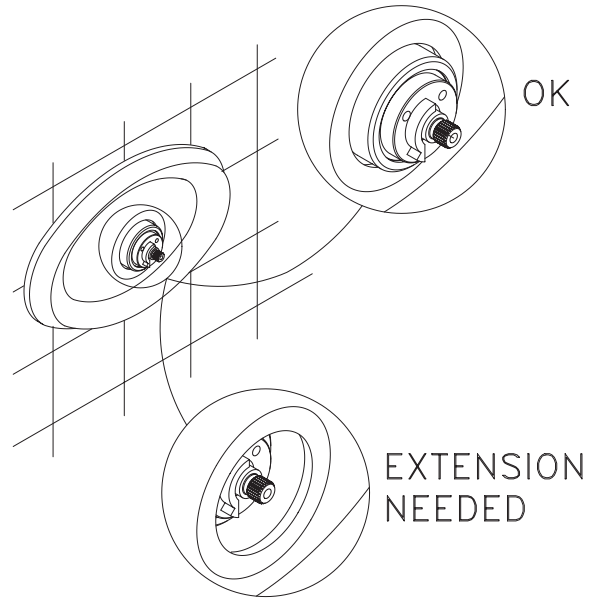
Thread finished valve sleeve (#8) onto the thermostat valve body.

Step #11



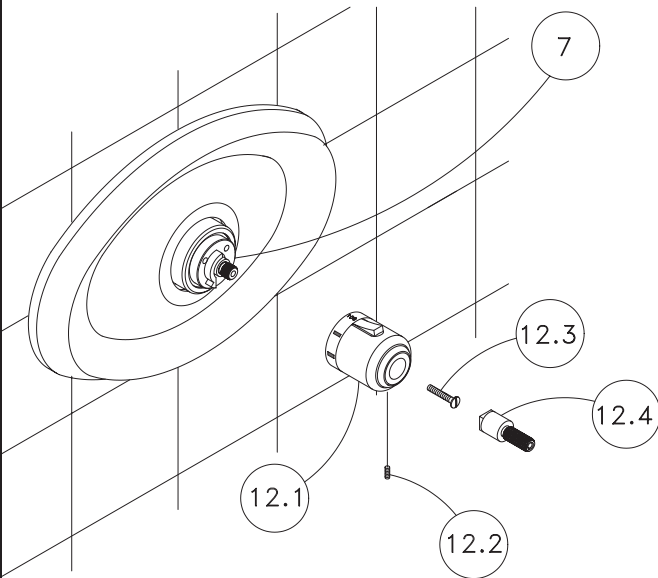
Insert black plastic escutcheon plate ring (#10) into the center hole of the finished brass escutcheon plate (#11) from the backside of the plate. Place the finished plate against the mounting plate (#9) making sure the Phylrich or Doralfe logo is right side up. Align the hole in the finished plate with the alignment pin on the mounting plate and press plate into place. Secure the finished plate with setscrew and allen wrench provided (#9.1).

Step #12



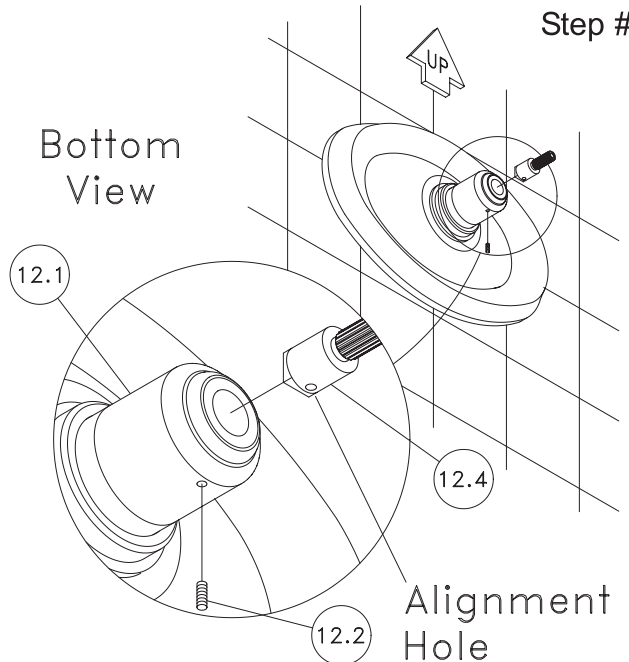
If the finished sleeve does not protrude beyond the finished escutcheon plate, the valve has been set too deep into the wall. An optional extension (#14) is available. Please contact your local distributor.

Step #13



Attach thermostat handle base with temperature ring (#12.1) to safety stop (#7) and stem. The red safety button (marked 100 degrees) should be placed at the top. Secure with screw provided (#12.3).

Step #14



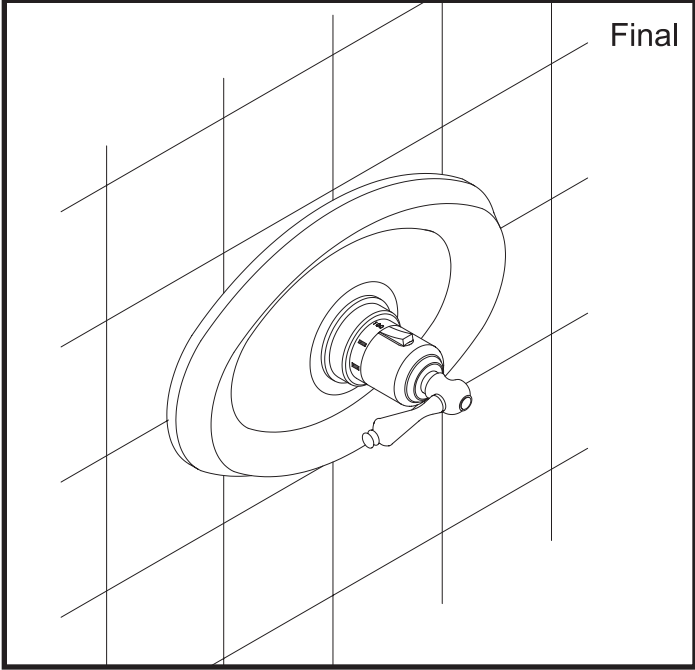
Orient handle stem (#12.4) so that the alignment hole is pointed down and insert into the handle base (#12.1). Stem should seat snugly in base with the alignment hole lined up with threads tapped on the underside of the handle base. Secure stem with setscrew (#14.2) provided.

Step #15

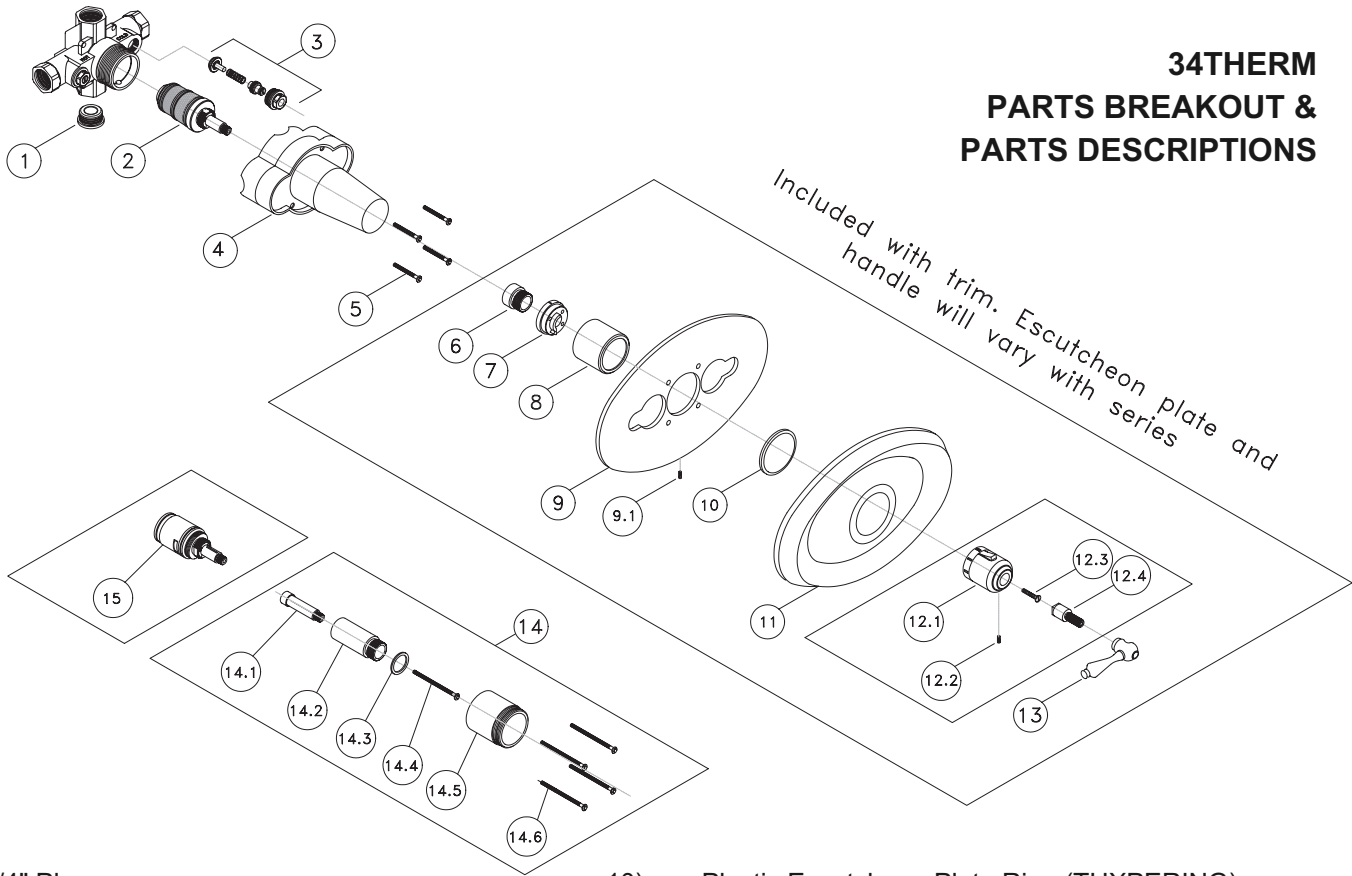
Attach handle to stem. The stem may be trimmed to fit if there is too much stem showing between the handle and handle base.

For installation instructions for adjustable height handles. See Step #16

NOTE: handle trim varies with series and can be mounted in any desired position.

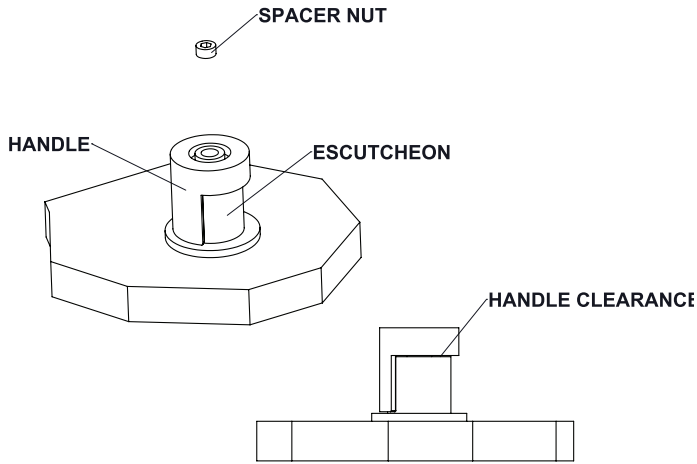


**34THERM
PARTS BREAKOUT &
PARTS DESCRIPTIONS**



- | | |
|--|---|
| 1) 3/4" Plug | 10) Plastic Escutcheon Plate Ring (THXPERING) |
| 2) Thermostatic Cartridge (ZIPXCART_001) | 11) Brass Escutcheon Plate (Varies by Series) |
| 3) Check Valve/Integral Assembly 3/4 (THXCV) | 12.1) Handle Base with Temperature Scale (THX10203) |
| 4) Mud Cover | 12.2) Setscrew for Handle Base (THX1SS) |
| 5) Mounting Screws (4 Required) (THXMS_001) | 12.3) Machine Screw for Handle Base |
| 6) Positioning Cam (THXPC) | 12.4) Handle Stem |
| 7) Safety Stop (THXSS) | 13) Handle (Varies by Series) |
| 8) Valve Sleeve (THXVS) | 14) 1-1/2" Extension Kit (Optional) (EXTTHERM) |
| 9) Plastic Mounting Plate (THX2B0203_001) | 15) Reverse Cartridge (reduces flow up to 60%). Optional. (ZIPXREVCART_001) |

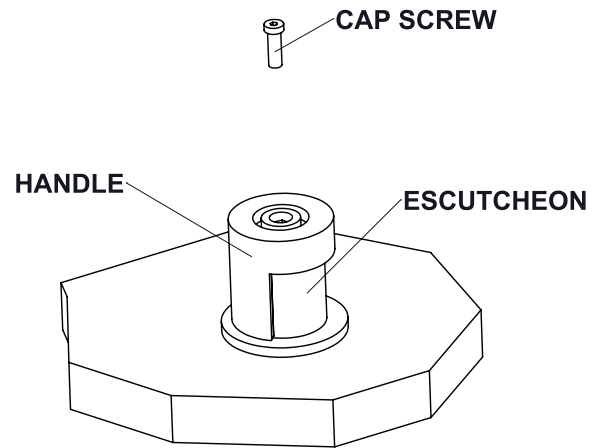
Step #16



Attach handle to handle escutcheon. Tighten spacer nut into the handle so that there is clearance (~1/32") between the handle and the handle base. See clearance diagram shown above.

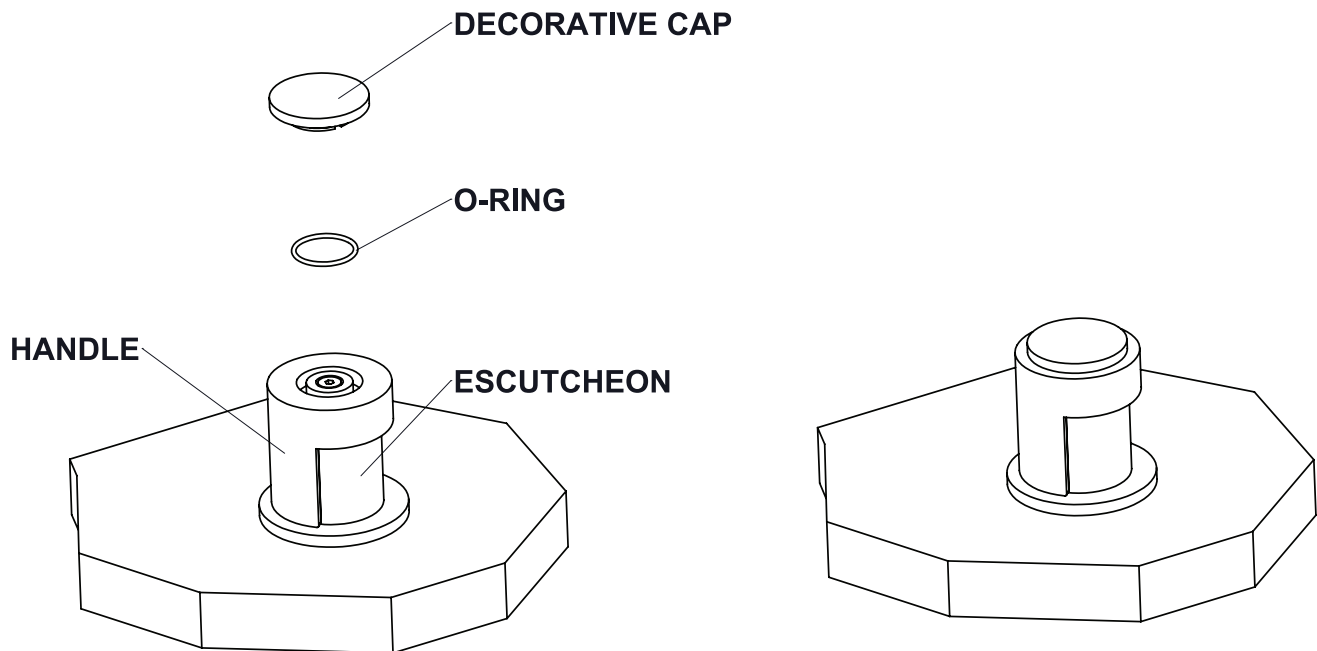
Step #16.1

P99004



Secure handle to the handle escutcheon by tightening the cap screw into the valve stem.

Step #16.2

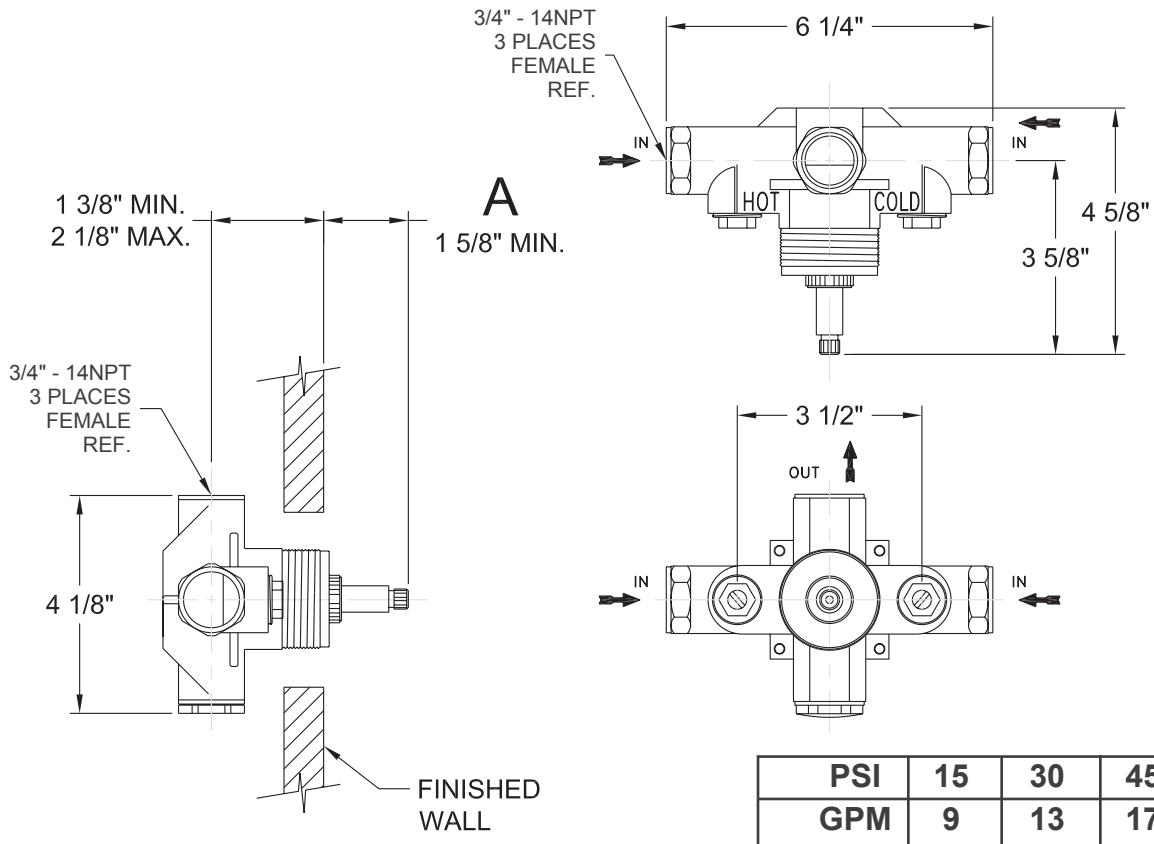


Complete the handle installation by placing the o-ring and decorative cover plate into the recess in the handle.



Valve shown:
34THERM

Rough In Specifications For 3/4" Thermostats



ALL PHYLIRICH AND DORALFE VALVE INSTALLATIONS MUST FOLLOW. THE MEASUREMENTS FOR "A" LISTED BELOW. PLEASE CONSULT THE TRIM NUMBER FOR THE CORRECT ROUGH IN DIMENSION.

Phylrich Prod#	Rough In	Phylrich Prod#	Rough In	Phylrich Prod#	Rough In	Doralfe Prod#	Rough In
TH101.....	2 3/8"	TH158D.....	2 3/8"	TH242.....	2 3/8"	DTH100.....	2 1/4"
TH104.....	2 3/8"	TH158F.....	2 3/8"	TH243.....	2 3/8"	DTH102.....	2 1/4"
TH105.....	2 3/8"	TH160.....	2 3/8"	TH244.....	2 3/8"	DTH103.....	2 1/4"
TH109.....	2 3/8"	TH170.....	2 3/8"	TH270.....	2 3/8"	DTH130.....	2 1/4"
TH111.....	2 3/8"	TH171.....	2 3/8"	TH271.....	2 3/8"	DTH134.....	2 1/4"
TH112.....	2 3/8"	TH180.....	2 3/8"	TH272.....	2 3/8"	DTH137.....	2 1/4"
TH120.....	2 3/8"	TH181.....	2 3/8"	TH273.....	2 3/8"	DTH205.....	2 1/4"
TH123.....	2 3/8"	TH183.....	2 3/8"	TH274.....	2 3/8"	DTH206.....	2 1/4"
TH137.....	2 3/8"	TH184.....	2 3/8"	TH338B.....	2 3/8"		
TH137SF.....	2 3/8"	TH190.....	2 3/8"	TH338C.....	2 3/8"		
TH141.....	2 3/8"	TH234.....	2 3/8"	TH338D.....	2 3/8"		
TH144.....	2 3/8"	TH240.....	2 3/8"	TH338F.....	2 3/8"		
TH158B.....	2 3/8"	TH241.....	2 3/8"	TH361.....	2 3/8"		
TH158C.....	2 3/8"						